


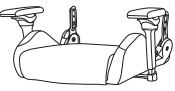
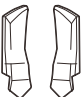
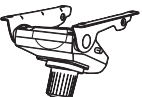
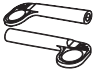


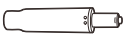





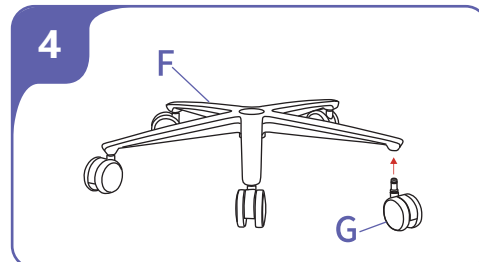
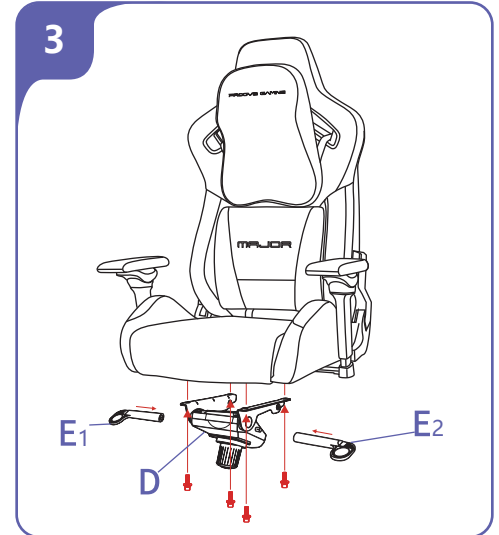
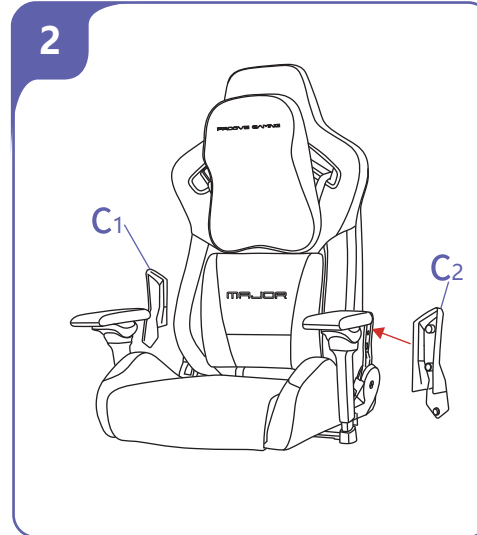
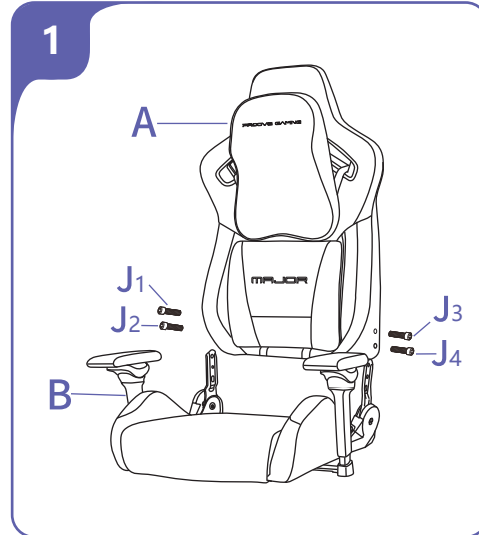
PROOVE GAMING

MAJOR

Gaming Chair

ASSEMBLY INSTRUCTION

A	X1	
B	X1	
C	X2	
D	X1	
E	X2	
F	X1	
G	X5	
H	X1	
I	X1	
J	X8	
K	X1	



Cleaning:
If there are stains on the surfaces of the chair, apply some polish on a soft towel and run the stains until they dissolved.
Note: Do not apply the polish directly on the chair.

After 3 months of use, please lighten the screws again.
Over time, the screws may loosen, which can lead to squeaks.